

Shelbourne
REYNOLDS



TRIMMERS &
FLAIL MOWER

HEDGE & VERGE



Shelbourne CONTENTS

INDEX	PAGE
ABOUT SHELBOURNE REYNOLDS.....	3
HISTORY.....	4
HEDGE & VERGE TRIMMER RANGE.....	5
FBO-2800 FLAIL MOWER.....	6-7
400 SERIES TRIMMER.....	8-11
600 SERIES TRIMMER.....	12-15
700 SERIES TRIMMER.....	16-19
800 SERIES TRIMMER.....	20-23
FLAIL HEADS.....	24-25
CONTROL SYSTEMS.....	26-27



OVER **FOUR DECADES** OF FARM MACHINERY

FOUNDED IN 1972, SHELBOURNE REYNOLDS HAS BEEN A FIXTURE IN AGRICULTURAL EQUIPMENT MANUFACTURING EVER SINCE.

Today, we are located on the same site in Stanton, near Bury St Edmunds, Suffolk, where we were established – but our business continues to grow. Our factory now covers over 12,000 sq m of the two hectare premises on which we are based, and employs 150 people.

Here, we use the latest design software to create the machines our markets demand, and utilise some of the most sophisticated manufacturing equipment available to produce not only hedge and verge trimmers, but also Powermix diet feeders, Powerspread manure spreaders and a host of other arable, livestock and groundcare machinery.

Our manufacturing technology includes CNC machining centres, laser steel cutting machines and one of the UK's largest powder coat paint facilities. All of this means we are able to create in-house, to extremely high standards, a large proportion of the components required for our equipment, using processes including machining and gear cutting to manufacture specific drives for specific applications.

With Shelbourne Reynolds equipment, there's no question of compromising machine performance or longevity by using lower spec cheaper components. That means our dealers and customers benefit from knowing that we put our name to every component on our equipment.



A PROVEN HISTORY IN HEDGE & VERGE CUTTING

EXPERIENCE IS AN ESSENTIAL ELEMENT OF RELIABLE DESIGN, AND WITH A HISTORY OF HEDGE TRIMMER PRODUCTION STRETCHING BACK MORE THAN 15 YEARS, YOU CAN BE SURE SHELBOURNE REYNOLDS HAS JUST THAT.

Our first hedge/verge trimmer models were introduced in 2004. Since then, our focus has always been on robustness, reliability, ease of servicing and machines that produce a neat finish in the minimum of passes.

But as hedge trimming rules have changed, resulting in longer intervals that create older, thicker growth, and the importance of verge mowing has increased to meet the need for enhanced road safety, our engineers have kept pace by designing new, higher capacity models.

Shelbourne has led the industry with innovations such as hydraulic head roller and VFRT.

Today, the Shelbourne Reynolds hedge/verge trimmer range spans four lines with reach of 5.0-8.0m and heads from 1.2-1.6m. Read on to find out how the characteristics we design into our hedge/verge trimmers can help you produce a better finish in a shorter time, and keep maintenance to a minimum.





400

The compact entry-level Shelbourne trimmer with a full specification. Models with 5.0m and 5.7m reach.



600

Mid-range, full-featured, farm-targeted trimmer models with 5.6m fixed and 6.0m telescopic reach.



HD700

A heavy-duty, top-end trimmer range for demanding users with high workloads. Models with 5.5m fixed, 6.0m telescopic and 6.2m fixed with 1.5m variable forward reach.



HD800

The flagship Shelbourne Reynolds hedge/verge trimmer for professional high-hour users, with telescopic models offering a telescopic reach of up to 8m and VFRT models with upto 1.6m of rearwards reach and 2.5m of forward reach.



FBO-2800 FLAIL MOWER

NEED A FLAIL MOWER TO PAIR WITH YOUR HEDGE/VERGE TRIMMER?
NOW THERE'S A SHELBOURNE REYNOLDS SOLUTION.

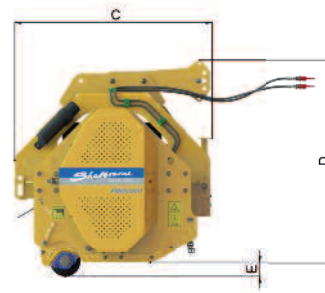
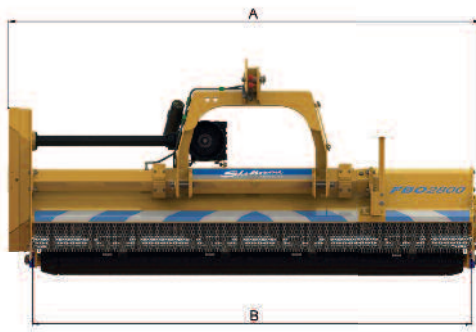
As it's designed for the professional user and built in-house by our own engineers, you can expect the same standards of robustness and reliability from the FBO-2800 that you've come to expect from our hedge/verge trimmer range. For all types of grass and vegetation management.

	FBO - 2800
WORKING WIDTH	2.8 m
OVERALL WIDTH	3.0 m
WEIGHT	1322 kg
MOUNTING	FRONT/REAR
DOUBLE SKINNED SHELL	STD
GEARBOX RATING	235 hp
DRIVE SYSTEM	5 BELT
INPUT SPEED	540/1000 rpm
HYDRAULIC OFFSET	600 mm
ROTOR DIAMETER	220 mm
ROLLER DIAMETER	194 mm
OVERRUN CLUTCH	STD

DIMENSIONS	FBO - 2800
A	3000 mm
B	2800 mm
C	1250 mm
D	1290 mm
E	15-90 mm

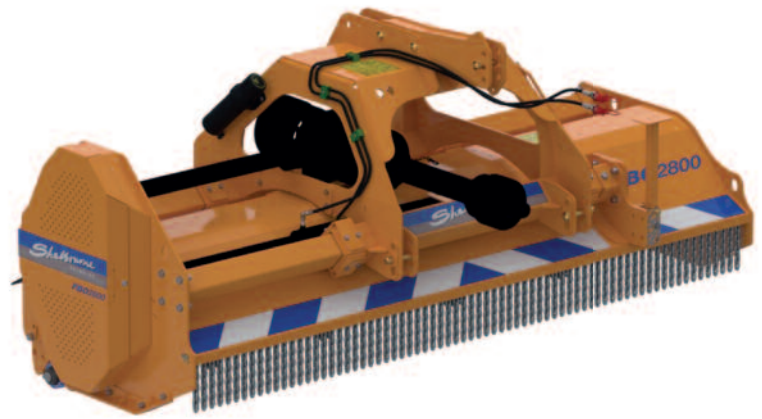
Standard Hammer ▶
Flail (24 Fitted)





KEY FEATURES

- Adjustable roller
- Front chain and rubber
- Welded side skids
- Spring tensioned 5 belt drive
- 235hp rated gearbox with overrun clutch
- Adjustable rear hood
- Swing over top link bracket for front/rear mounting
- Poly wear pads on sideshift slides





400 SERIES

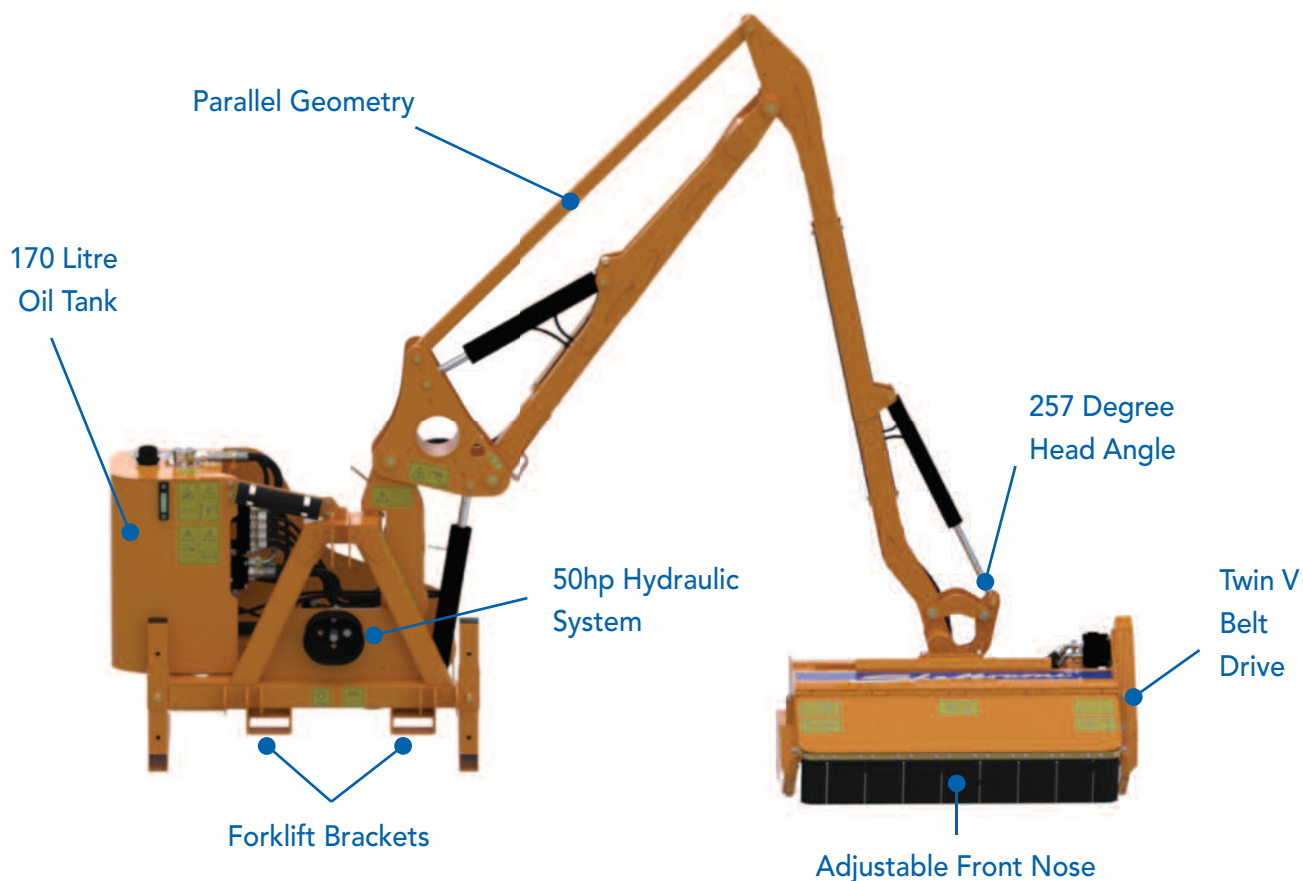
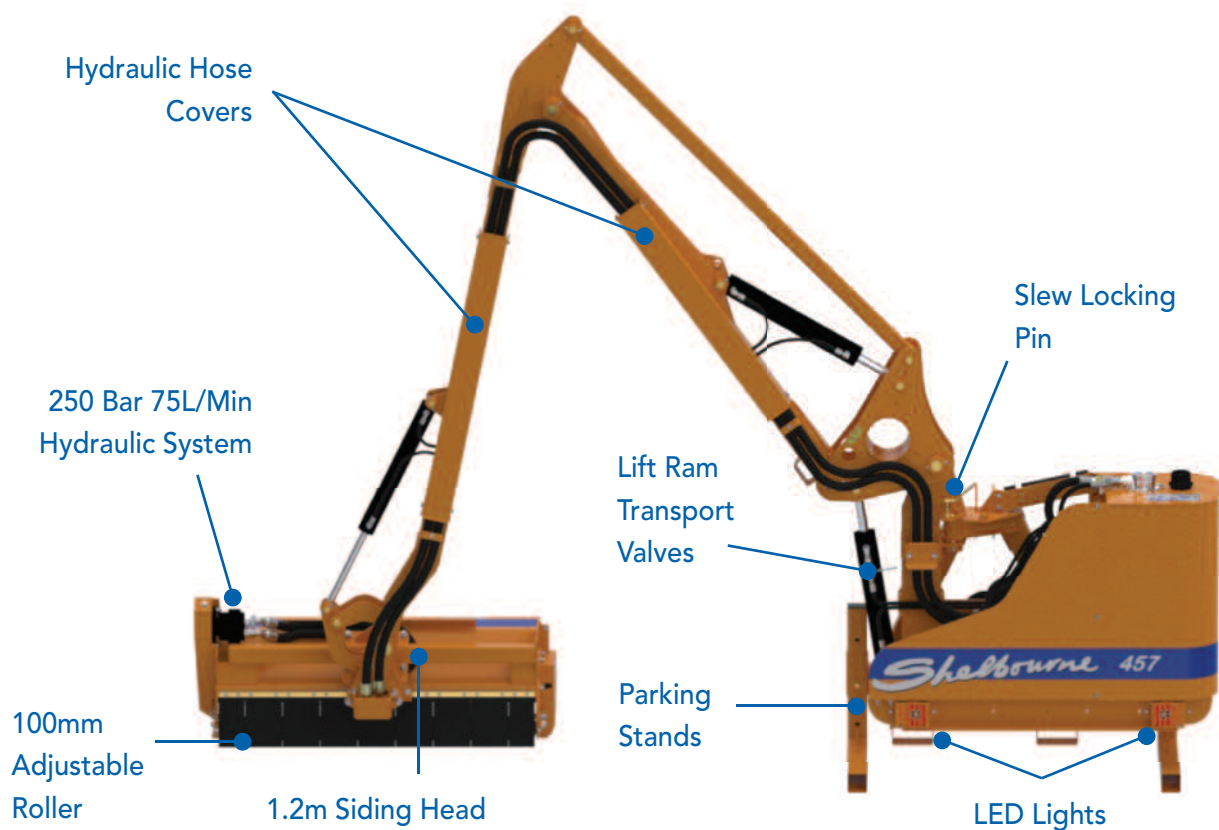
IF YOU NEED A HEDGE/VERGE TRIMMER FOR FARM OR COUNCIL WORK, THE COMPACT YET TOUGH SHELBOURNE 400 SERIES IS DESIGNED TO MEET YOUR NEEDS.

The Shelbourne 400 series trimmer range blends a compact format with the quality and strength of concepts proven in our larger HD models. Our engineers have created a machine that cuts back on weight without compromising key areas of design.

Select from two models: the 450, a 5.0m fixed boom machine, and the 457, also with fixed boom but with a reach of 5.7m. Both models feature parallel geometry and power slew.

MODEL	REACH	SPECIFICATION
450	5.0m	PARALLEL GEOMETRY FIXED BOOM
457	5.7m	PARALLEL GEOMETRY FIXED BOOM

KEY FEATURES

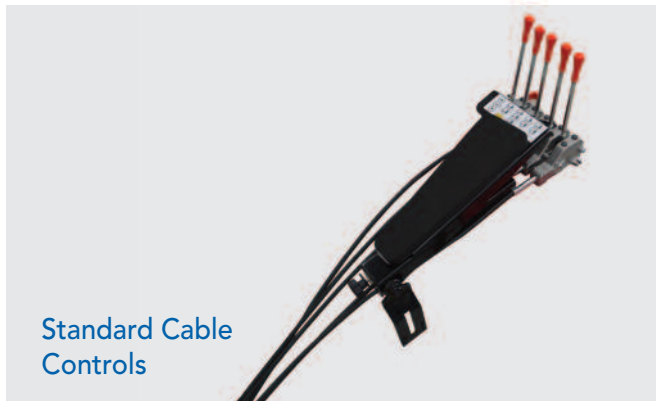


400 SERIES

Hedge & Verge Trimmer



Standard 4 Pt Stabiliser Frame



Standard Cable Controls



Optional Proportional Joystick

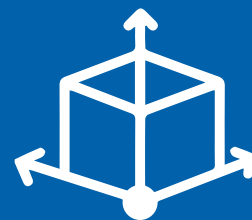


Standard Fixed Roller



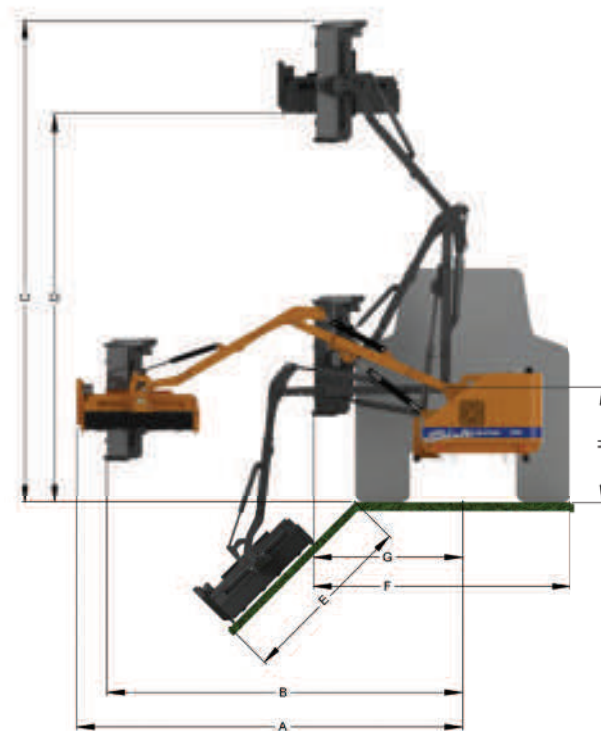
Optional Hydraulic Roller

DIMENSIONS



STANDARD FEATURES	450	457
PROGRESSIVE CABLE CONTROL	STD	STD
OIL CAPACITY	170 l	170 l
INDEPENDENT HYDRAULICS	STD	STD
NON PARALLEL OR PARALLEL BOOM GEOMETRY	PARALLEL	PARALLEL
BOOM TYPE	FIXED	FIXED
HYDRAULIC SLEW	90 deg	90 deg
ARM BREAK BACK	STD	STD
TWIN 'V' HEAD DRIVE	STD	STD
SM1200 FLAIL HEAD	STD	STD
DRIVE SYSTEM FLOW	73 l/min	73 l/min
DRIVE SYSTEM PRESSURE	250 bar	250 bar
HEAD ANGLING	257 deg	257 deg
ROLLER DIAMETER	100 mm	100 mm
MACHINE WEIGHT INC HEAD & OIL	1190 kg	1220 kg
MIN TRACTOR WEIGHT	3500 kg	3500 kg
MIN TRACTOR	80 hp	80 hp
4 PT LINKAGE STABILISER	STD	STD
LED ROAD LIGHTS	STD	STD

OPTIONS		
OIL REMOTE JOYSTICK	OPT	OPT
ELECTRIC HEAD / ARM FLOAT	OPT	OPT
HYDRAULIC HEAD ROLLER	OPT	OPT
MANUAL ARM FLOAT (CABLE CONTROLS)	OPT	OPT
OIL COOLER	OPT	OPT
NARROW LANE BRACKET	OPT	OPT



REACH DIMENSIONS	450	457
MAX REACH (A) HEAD HORIZONTAL	5.16 m	5.84 m
MAX REACH (B) HEAD VERTICAL	4.54 m	5.27 m
MAX HEIGHT (C) HEAD VERTICAL	6.25 m	6.72 m
MAX HEIGHT (D) HEAD HORIZONTAL	4.52 m	5.28 m
MAX REACH (E) DOWNWARDS	3.30 m	4.11 m
MAX REACH (F) AT 45 DEGREE UP	5.35 m	6.01 m
MAX SIDING WIDTH (G) TO TANK	2.35 m	2.35 m
MAX SIDING WIDTH (H) TO CENTRE	1.40 m	1.40 m
HEIGHT (I) TO PIVOT	1.55 m	1.55 m

ALL DIMENSIONS ABOVE WITH 1.2 m HEAD



600 SERIES

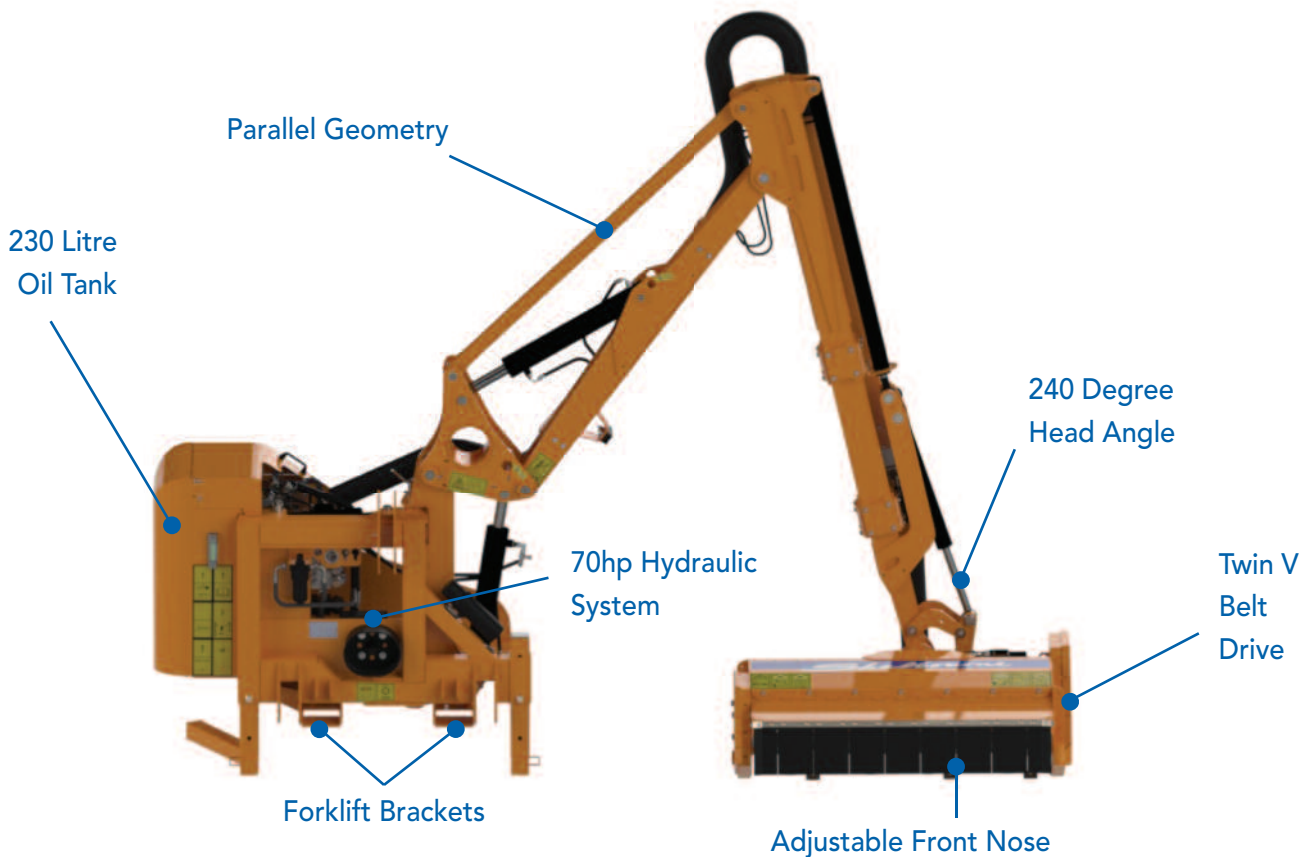
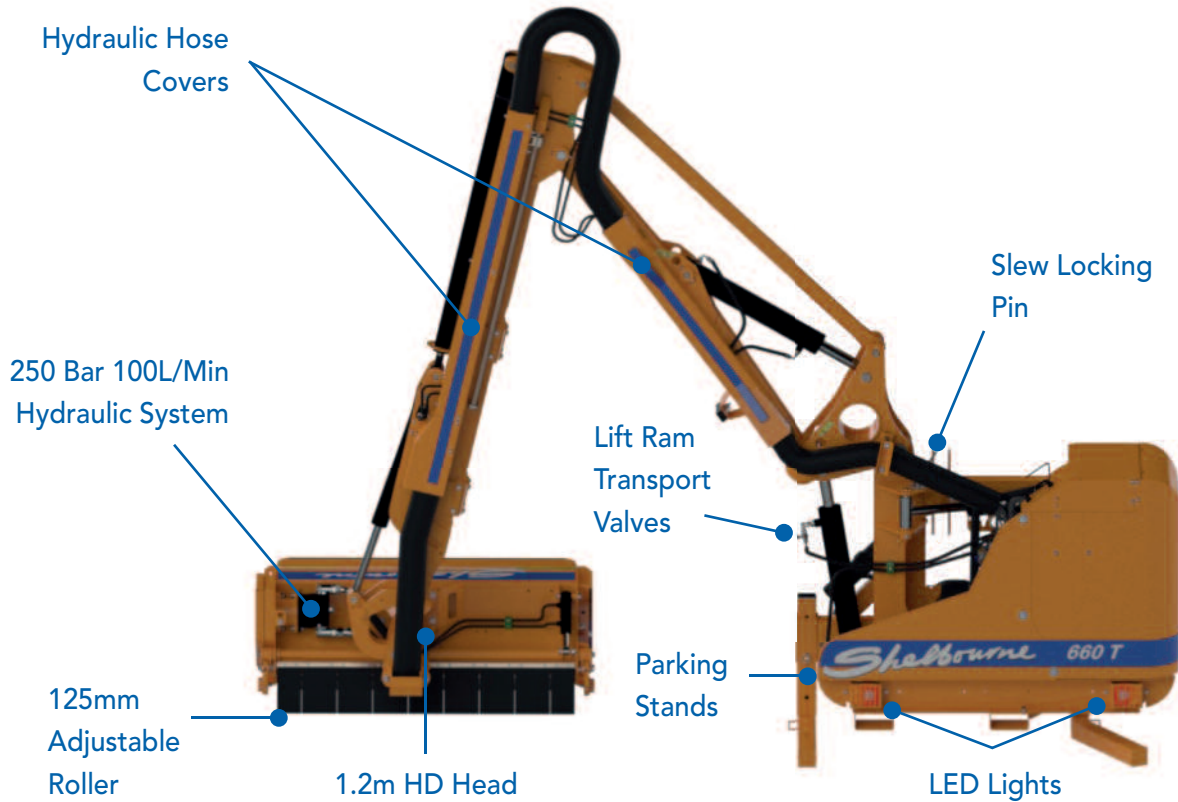
WITH A DESIGN INCORPORATING KEY FEATURES FROM THE HD700 SERIES, THE 600 SERIES HEDGE AND VERGE TRIMMER RANGE SUITS LARGER-SCALE WORKLOADS.

That means it combines high specifications for enhanced performance with a weight matched to medium-sized tractors, ensuring it suits the needs of both farmers and contractors. The standard 70hp hydraulics system packs a powerful punch.

Two models are available: the 656 with 5.6m reach from a fixed boom and the 660T with 6m reach from a telescopic boom.

MODEL		
656	5.6m	FIXED BOOM
660T	6.0m	TELESCOPIC BOOM (4.8m-6.0m)

KEY FEATURES



600 SERIES

Hedge & Verge Trimmer



Four Point Stabiliser Kit

Electronic Proportional Joystick



Hydraulic Head Nose



Oil Cooler



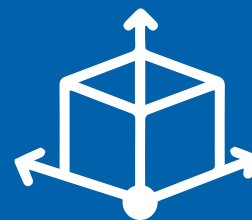
Narrow Lane Bracket



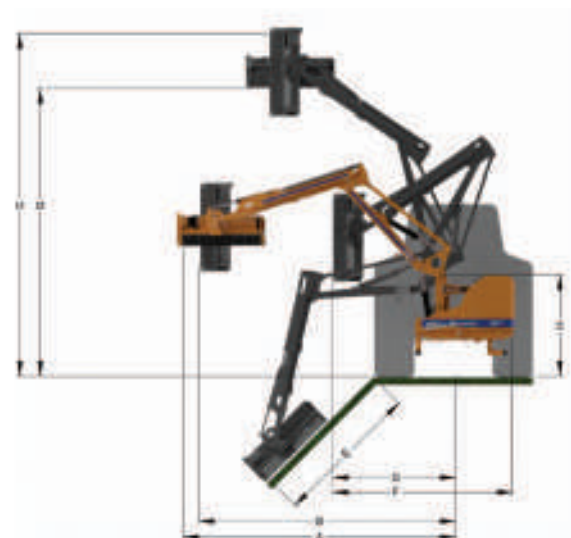
Hydraulic Head Roller



DIMENSIONS



STANDARD FEATURES	656	660T
ELECTRONIC PROPORTIONAL JOYSTICK CONTROL	STD	STD
OIL CAPACITY	230 l	230 l
INDEPENDENT HYDRAULICS	STD	STD
OIL COOLER	STD	STD
PARALLEL BOOM GEOMETRY	STD	STD
BOOM TYPE	FIXED	TELE.
HYDRAULIC SLEW	90 deg	90 deg
ARM BREAK BACK	STD	STD
TWIN 'V' BELT HEAD DRIVE	STD	STD
HD1200 FLAIL HEAD	STD	STD
DRIVE SYSTEM FLOW	100 l/min	100 l/min
DRIVE SYSTEM PRESSURE	250 bar	250 bar
HEAD ANGLING	240 deg	240 deg
ROLLER DIAMETER	125 mm	125 mm
MACHINE WEIGHT INC HEAD & OIL	1550 kg	1650 kg
MIN TRACTOR WEIGHT	3500 kg	3500 kg
MIN TRACTOR	90 hp	95 hp
4 PT LINKAGE STABILISER	STD	STD
LED ROAD LIGHTS	STD	STD
OPTIONS		
AXLE SUB FRAME (NOT INC AXLE BRACKETS)	OPT	OPT
AXLE BRACKETS	OPT	OPT
ELECTRIC ARM AND HEAD FLOAT	OPT	OPT
HYDRAULIC HEAD ROLLER	OPT	OPT
NARROW LANE BRACKET	OPT	OPT
600 SERIES HIGHWAY KIT	OPT	OPT
DEBRIS BLOWER	OPT	OPT
VERGE HEAD KIT	OPT	OPT
TWIN ACCUMULATOR FLOAT	OPT	OPT
HYDRAULIC HEAD NOSE	OPT	OPT
HD1500 FLAIL HEAD (IN LIEU OF HD1200)	OPT	OPT
ARM & HEAD FLOAT	OPT	OPT



REACH DIMENSIONS	656	660T	
		RETRACTED	EXTENDED
MAX REACH (A) HEAD HORIZONTAL	5.78 m	5 m	6.25 m
MAX REACH (B) HEAD VERTICAL	5.43 m	4.81 m	5.96 m
MAX HEIGHT (C) HEAD VERTICAL	6.48 m	6.17 m	7.04 m
MAX HEIGHT (D) HEAD HORIZONTAL	5.63 m	5.01 m	5.87 m
MAX REACH (E) DOWNWARDS	4.05 m	3.05 m	4.13 m
MAX REACH (F) AT 45 DEGREES UP	5.94 m	4.88 m	6.10 m
MAX SIDING WIDTH (G) TO TANK	2.34 m	2.34 m	N/R
MAX SIDING WIDTH (H) TO CENTRE	1.38 m	1.38 m	N/R
HEIGHT (I) TO PIVOT	1.55 m	1.55 m	1.55 m

ALL DIMENSIONS ABOVE WITH 1.2 m HEAD (RH) INBOARD DRIVE



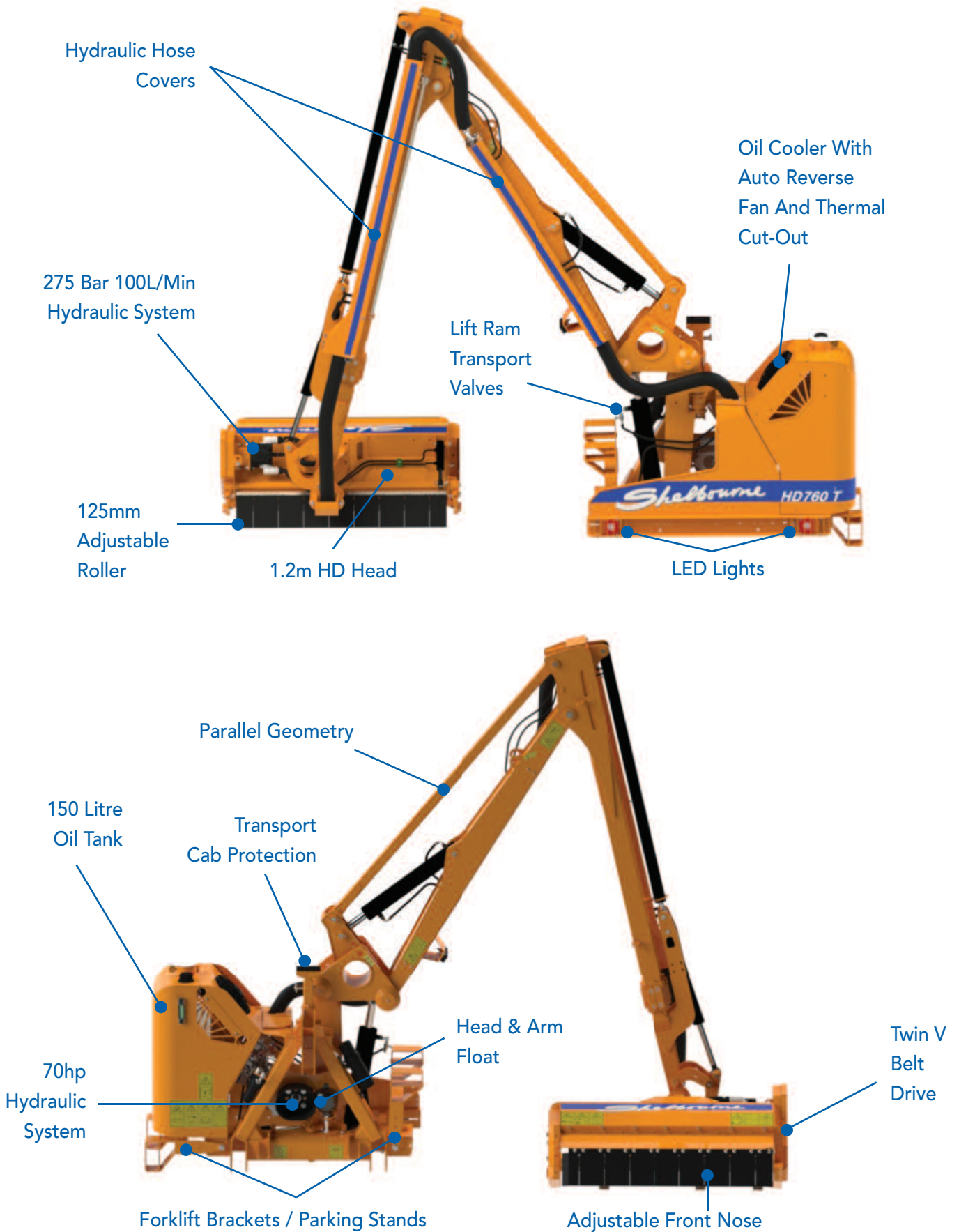
HD700 SERIES

THE HD700 SERIES HEDGE AND VERGE TRIMMER RANGE HAS BEHIND IT THE FEEDBACK AND INPUT OF OWNER DRIVERS AND CONTRACTORS WITH WHOM WE'VE BEEN WORKING OVER THE LAST 15 YEARS.

Its range of specifications and configurations makes it suitable for both farmers and contractors. Three versions are available: the HD755 5.5m fixed boom machine, the HD760T 6m telescopic variant and the HD762VFR 6.2m variable forward reach model.

MODEL	REACH	SPECIFICATION
755	5.5m	FIXED BOOM
760T	6.0m	TELESCOPIC BOOM (4.8m-6.0m)
762VFR	6.2m	VARIABLE FORWARD REACH

KEY FEATURES



700 SERIES

Hedge & Verge Trimmer



Four Point Stabiliser Kit



Digital Proportional Joystick

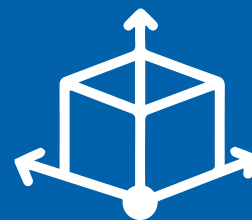


Drawbar Stabiliser Bracket

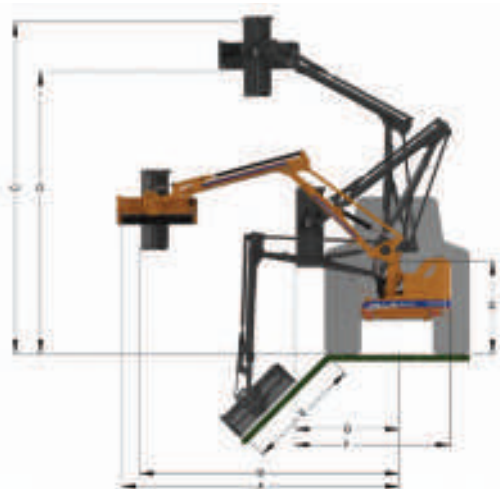


Axle Mounting System

DIMENSIONS



STANDARD FEATURES	HD755	HD760 T	HD762 VFR
ELECTRONIC PROPORTIONAL JOYSTICK CONTROL	STD	STD	STD
OIL CAPACITY	150 l	150 l	150 l
INDEPENDENT HYDRAULICS	STD	STD	STD
OIL COOLER	STD	STD	STD
PARALLEL BOOM GEOMETRY	STD	STD	STD
BOOM TYPE	FIXED	TELESCOPIC	VFR
HYDRAULIC SLEW	90 deg	90 deg	90 deg
ARM BREAK BACK WITH AUTO RESET	STD	STD	STD
HEAD FLOAT	STD	STD	STD
ARM FLOAT	STD	STD	STD
TWIN 'V' BELT HEAD DRIVE	STD	STD	STD
HD1200 FLAIL HEAD	STD	STD	STD
DRIVE SYSTEM FLOW	100 l/min	100 l/min	100 l/min
DRIVE SYSTEM PRESSURE	275 bar	275 bar	275 bar
HEAD ANGLING	240 deg	240 deg	240 deg
ROLLER DIAMETER	125 mm	125 mm	125 mm
MACHINE WEIGHT INC HEAD & OIL	1725 kg	1850 kg	1900 kg
MIN TRACTOR WEIGHT	4000 kg	4250 kg	4500 kg
MIN TRACTOR	90 hp	90 hp	100 hp
LED ROAD LIGHTS	STD	STD	STD
OPTIONS			
AXLE SUB FRAME (NOT INC AXLE BRACKETS)	OPT	OPT	OPT
AXLE BRACKETS	OPT	OPT	OPT
4 POINT LINKAGE STABILISER	OPT	OPT	OPT
HYDRAULIC HEAD ROLLER	OPT	OPT	OPT
NARROW LANE BRACKET	OPT	OPT	OPT
700 SERIES HIGHWAY KIT	OPT	OPT	OPT
DEBRIS BLOWER	OPT	OPT	OPT
VERGE HEAD KIT	OPT	OPT	OPT
TWIN ACCUMULATOR FLOAT	OPT	OPT	OPT
HYDRAULIC HEAD NOSE	OPT	OPT	OPT
HD1500 FLAIL HEAD (IN LIEU OF HD1200)	OPT	OPT	OPT
85 hp HIGH POWER OPTION (800 RPM INPUT)	OPT	OPT	OPT



REACH DIMENSIONS	HD755	HD760T		HD762VFR	
		RETRACTED	EXTENDED	STRAIGHT	FORWARD
MAX REACH (A) HEAD HORIZONTAL	5.56 m	4.90 m	6.03 m	6.05 m	5.55 m
MAX REACH (B) HEAD VERTICAL	5.37 m	4.71 m	5.84 m	5.86 m	5.36 m
MAX HEIGHT (C) HEAD VERTICAL	6.73 m	6.09 m	7.01 m	7.15 m	6.76 m
MAX HEIGHT (D) HEAD HORIZONTAL	5.72 m	5.08 m	5.99 m	6.15 m	5.65 m
MAX REACH (E) DOWNWARDS	3.68 m	3.05 m	4.22 m	4.19 m	3.69 m
MIN SIDING WIDTH (F) TO TANK	2.24 m	2.29 m	N/R	2.29 m	N/R
MIN SIDING WIDTH (G) TO CENTRE	1.28 m	1.33 m	N/R	1.38 m	N/R
HEIGHT (H) TO PIVOT	1.55 m	1.55 m	1.55 m	1.55 m	1.55 m

ALL DIMENSIONS ABOVE WITH 1.2 m HEAD (HD762 VFR 1.5 m FORWARD)



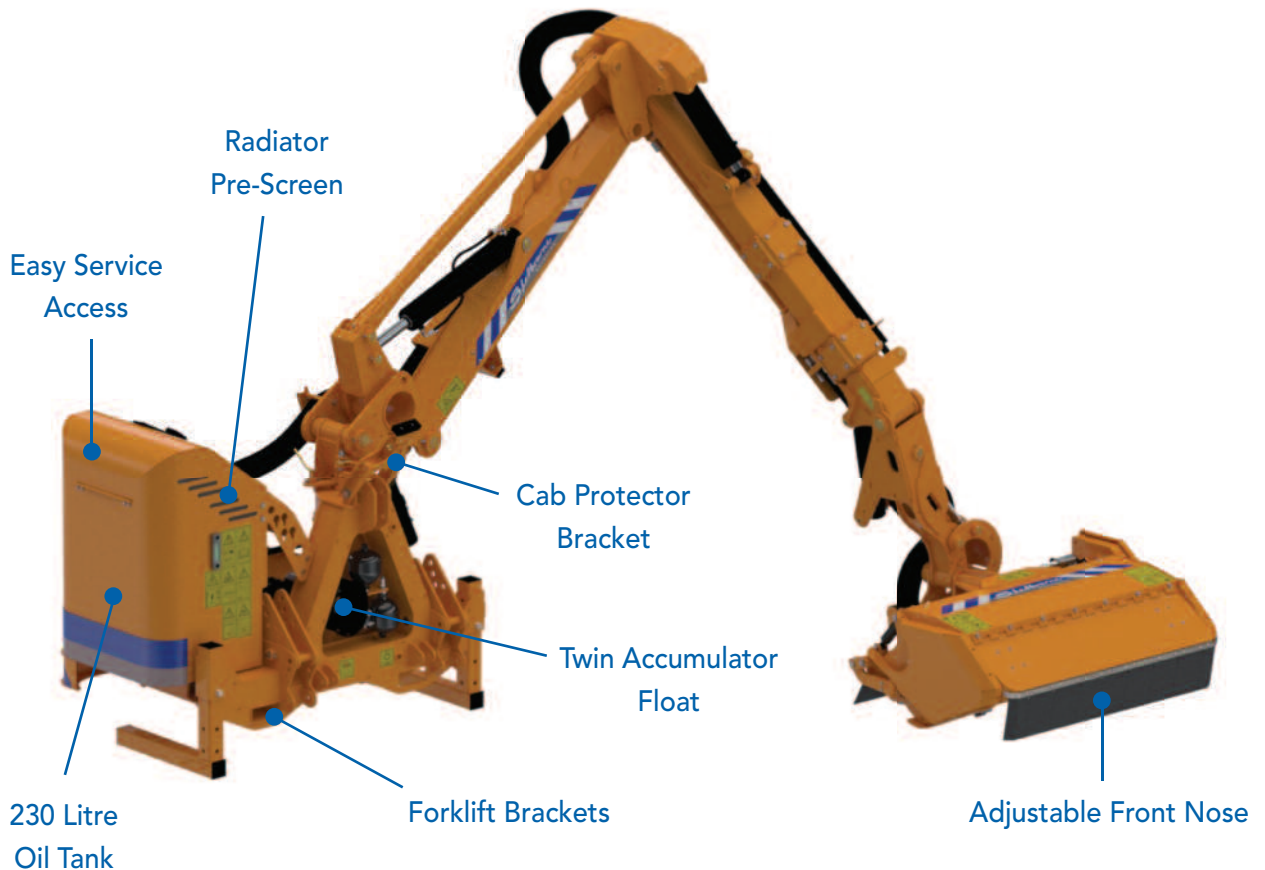
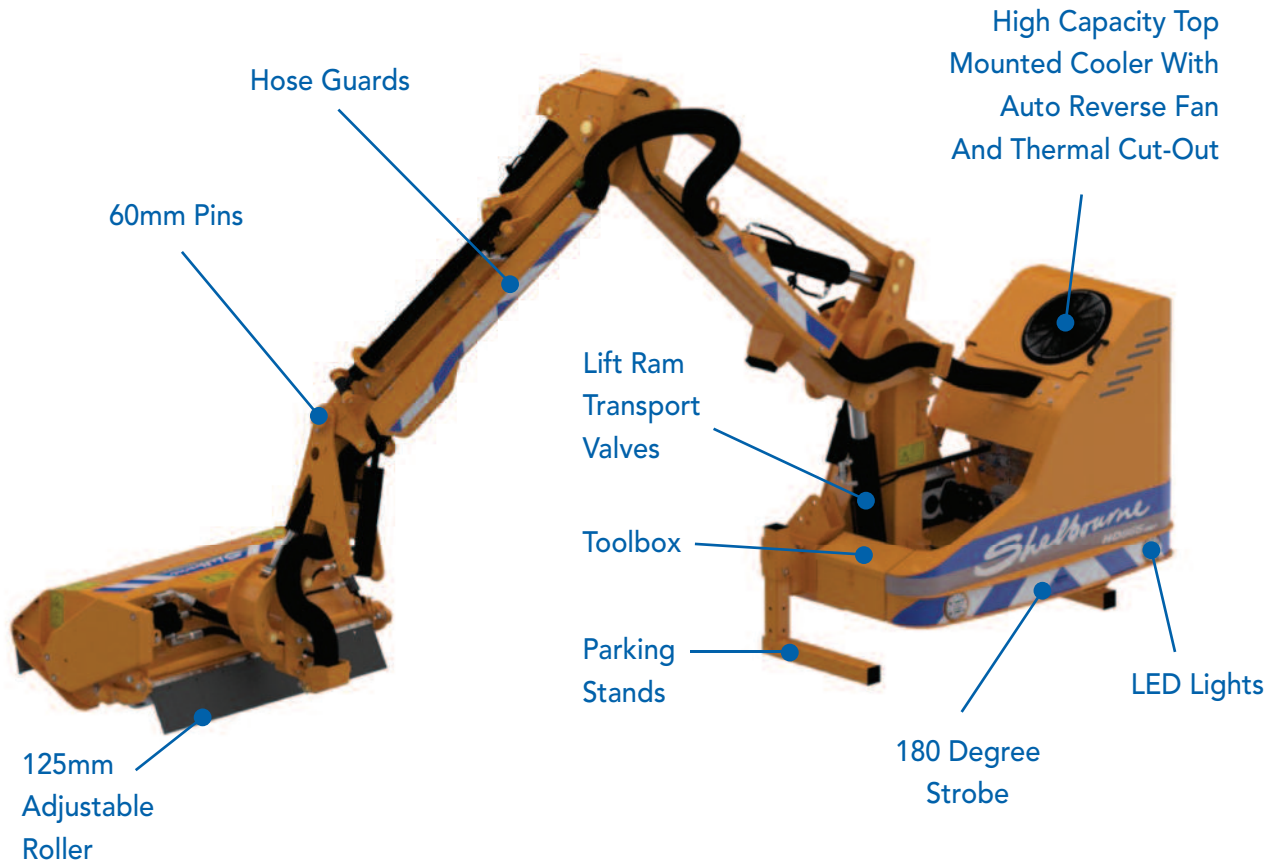
HD800 SERIES

THE HD800 SERIES ARE THE MACHINES FOR THE MOST DEMANDING PROFESSIONAL USERS.

If you are a high-hour operator requiring a heavy duty hedge/verge trimmer incorporating a large number of standard features, then the HD800 series has what you're looking for.

MODEL	REACH	SPECIFICATION
860T	6.0m	TELESCOPIC BOOM (4.8-6.0m)
870T	7.0m	TELESCOPIC BOOM (5.5-7.0m)
880T	8.0m	TELESCOPIC BOOM (6.2-8.0m)
865VFRT	6.5m	VARIABLE FORWARD REACH TELESCOPIC (5.6m-6.5m)
875VFRT	7.5m	VARIABLE FORWARD REACH TELESCOPIC (6.2-7.5m)

KEY FEATURES

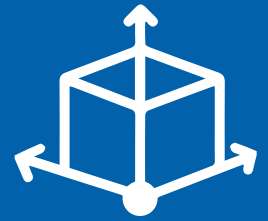


800 SERIES

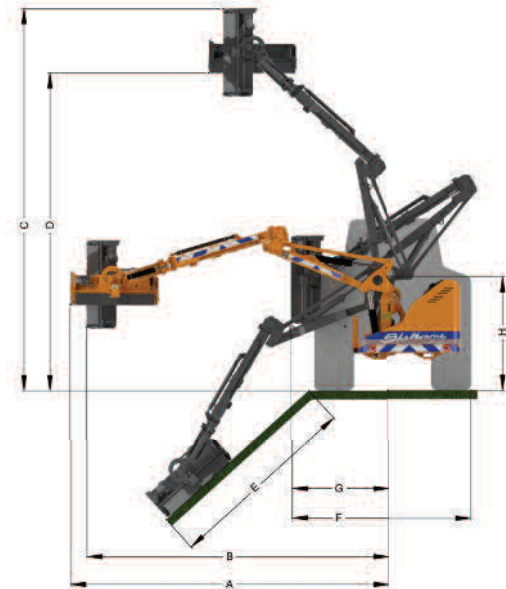
Hedge & Verge Trimmer



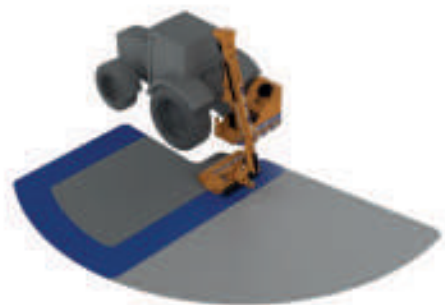
DIMENSIONS



STANDARD FEATURES	HD860T	HD870T	HD880T	HD865VFRT	HD875VFRT
ELECTRONIC JOYSTICK CONTROL	STD	STD	STD	STD	STD
OIL CAPACITY	230 l	230 l	230 l	230 l	230 l
INDEPENDENT HYDRAULICS	STD	STD	STD	STD	STD
OIL COOLER	STD	STD	STD	STD	STD
PARALLEL BOOM GEOMETRY	STD	STD	STD	STD	STD
BOOM TYPE	TELE	TELE	TELE	VFR/TELE	VFR/TELE
HYDRAULIC SLEW	102 deg	102 deg	102 deg	102 deg	102 deg
ARM BREAK BACK	STD	STD	STD	STD	STD
HEAD FLOAT	STD	STD	STD	STD	STD
TWIN ACCUMULATOR ARM FLOAT	STD	STD	STD	STD	STD
TWIN 'V' BELT HEAD DRIVE	STD	STD	STD	STD	STD
HD1200 FLAIL HEAD	STD	STD	STD	STD	STD
DRIVE SYSTEM FLOW	100 l/min	100 l/min	100 l/min	100 l/min	100 l/min
DRIVE SYSTEM PRESSURE	275 bar	275 bar	275 bar	275 bar	275 bar
HEAD ANGLING	250 deg	250 deg	250 deg	250 deg	250 deg
ROLLER DIAMETER	125 mm	125 mm	125 mm	125 mm	125 mm
MACHINE WEIGHT INC HEAD & OIL	2050 kg	2100 kg	2150 kg	2200 kg	2250 kg
MIN TRACTOR WEIGHT	5500 kg	5500 kg	5500 kg	5500 kg	5500 kg
MIN TRACTOR	130 hp	130 hp	130 hp	130 hp	130 hp
LED ROAD LIGHTS	STD	STD	STD	STD	STD
OPTIONS					
AXLE SUB FRAME <small>(NOT INC AXLE BRACKETS)</small>	OPT	OPT	OPT	OPT	OPT
AXLE BRACKETS	OPT	OPT	OPT	OPT	OPT
HYDRAULIC HEAD ROLLER	OPT	OPT	OPT	OPT	OPT
NARROW LANE BRACKET	OPT	OPT	OPT	OPT	OPT
800 SERIES HIGHWAY KIT	OPT	OPT	OPT	OPT	OPT
DEBRIS BLOWER	OPT	OPT	OPT	OPT	OPT
VERGE HEAD KIT	OPT	OPT	OPT	OPT	OPT
HYDRAULIC HEAD NOSE	OPT	OPT	OPT	OPT	OPT
HD1500 FLAIL HEAD (IN LIEU OF HD1200)	OPT	OPT	OPT	OPT	OPT
HC1600 FLAIL HEAD (IN LIEU OF HD1200)	OPT	OPT	OPT	OPT	OPT
85 hp (800 RPM INPUT)	OPT	OPT	OPT	OPT	OPT
85 hp (540 RPM INPUT)	OPT	OPT	OPT	OPT	OPT



VFRT Manoeuvrability



REACH DIMENSIONS	HD860T		HD870T		HD880T	
	RETRACTED	EXTENDED	RETRACTED	EXTENDED	RETRACTED	EXTENDED
MAX REACH (A) HEAD HORIZONTAL	5.22 m	6.35 m	5.88 m	7.30 m	6.58 m	8.34 m
MAX REACH (B) HEAD VERTICAL	4.71 m	5.84 m	5.37 m	6.79 m	6.13 m	7.89 m
MAX HEIGHT (C) HEAD VERTICAL	6.09 m	7.01 m	6.73 m	7.90 m	7.09 m	8.35 m
MAX HEIGHT (D) HEAD HORIZONTAL	5.40 m	6.31 m	6.04 m	7.21 m	6.43 m	7.70 m
MAX REACH (E) DOWNWARDS	3.37 m	4.54 m	4.00 m	5.48 m	4.61 m	6.41 m
MAX SIDING WIDTH (F) TO TANK	2.29 m	N/R	2.24 m	N/R	2.24 m	N/R
MAX SIDING WIDTH (G) TO CENTRE	1.33 m	N/R	1.28 m	N/R	1.28 m	N/R
HEIGHT (H) TO PIVOT	1.55 m	1.55 m	1.55 m	1.55 m	1.55 m	1.55 m

ALL DIMENSIONS ABOVE WITH 1.5 m INBOARD DRIVE HEAD

HD875 VFRT REACH DIMENSIONS	RETRACTED			EXTENDED		
	FORWARD	STRAIGHT	BACK	FORWARD	STRAIGHT	BACK
MAX REACH (A) HEAD HORIZONTAL	5.53 m	6.20 m	5.95 m	6.34 m	7.38 m	6.99 m
MAX REACH (B) HEAD VERTICAL	5.08 m	5.75 m	5.5 m	5.88 m	6.93 m	6.54 m
MAX HEIGHT (C) HEAD VERTICAL	6.76 m	7.05 m	6.88 m	6.85 m	7.44 m	7.22 m
MAX HEIGHT (D) HEAD HORIZONTAL	5.07 m	5.45 m	5.31 m	5.53 m	6.08 m	5.90 m
MAX REACH (E) DOWNWARDS	-	4.15 m	-	-	5.25 m	-
MAX SIDING WIDTH (F) TO TANK	-	2.26 m	2.16 m	-	-	-
MAX SIDING WIDTH (G) TO CENTRE	-	1.30 m	1.19 m	-	-	-
HEIGHT (H) TO PIVOT	1.55 m	1.55 m	1.55 m	1.55 m	1.55 m	1.55 m

ALL DIMENSIONS ABOVE WITH 1.5 m INBOARD HEAD. HD875 VFRT 1.6 m FORWARD & 1.03 m BACK (RETRACTED) 2.47 m FORWARD 1.6 m BACK (EXTENDED)

HD865 VFRT REACH DIMENSIONS	RETRACTED			EXTENDED		
	FORWARD	STRAIGHT	BACK	FORWARD	STRAIGHT	BACK
MAX REACH (A) HEAD HORIZONTAL	5.06 m	5.63 m	5.42 m	5.61 m	6.48 m	6.15 m
MAX REACH (B) HEAD VERTICAL	4.61 m	5.17 m	4.96 m	5.15 m	6.02 m	5.7 m
MAX HEIGHT (C) HEAD VERTICAL	6.17 m	6.2 m	6.44 m	6.62 m	7.25 m	7.01 m
MAX HEIGHT (D) HEAD HORIZONTAL	4.81 m	5.24 m	5.08 m	5.25 m	5.88 m	5.65 m
MAX REACH (E) DOWNWARDS	-	3.82 m	-	-	4.68 m	-
MAX SIDING WIDTH (F) TO TANK	-	2.21 m	2.17 m	-	-	-
MAX SIDING WIDTH (G) TO CENTRE	-	1.25 m	1.2 m	-	-	-
HEIGHT (H) TO PIVOT	1.55 m	1.55 m	1.55 m	1.55 m	1.55 m	1.55 m

ALL DIMENSIONS ABOVE WITH 1.5 m INBOARD DRIVE HEAD. HD865 VFRT 1.38 m FORWARD & 0.89 m BACK (RETRACTED) 2.00 m FORWARD 1.31 m BACK (EXTENDED)

FLAIL HEADS

FLAIL HEAD APPLICATION GUIDE

SPECIFICATION	SM1200	HD1200	HD1500	HC1600
CUTTING WIDTH	1.2 m	1.2 m	1.5 m	1.6 m
ROTOR DIAMETER	110 mm	110 mm	120 mm	150 mm
ROLLER DIAMETER	101 mm	125 mm	125 mm	125 mm
NUMBER FLAILS	24	24	30	36
HYD ROLLER	OPT	OPT	OPT	OPT
HYD NOSE	N/A	OPT	OPT	OPT
LH DRIVE	STD	OPT	OPT	OPT
RH DRIVE	N/A	OPT	OPT	OPT
WEIGHT	280 kg	350 kg	400 kg	475 kg

SM1200 HEAD

Standard on all 400 series trimmers.



- Compact
- Double Skinned
- Slide Mount
- 110mm Rotor Shaft

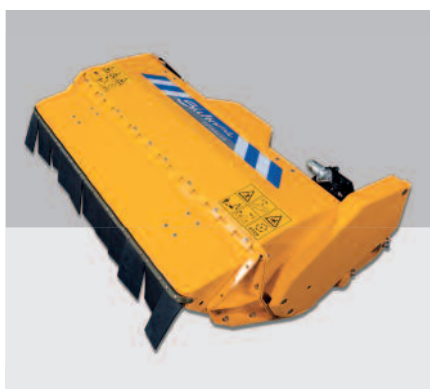
- Twin Vee Drive
- Optional Hydraulic Roller
- Manually Adjustable Nose
- 50mm Bearing

- Double Spiral Flail Pattern
- T or Competition Flails
- Cast Flails

FLAIL HEADS

HD1200 & 1500

Standard on all 6, 7 and 800 series machines.



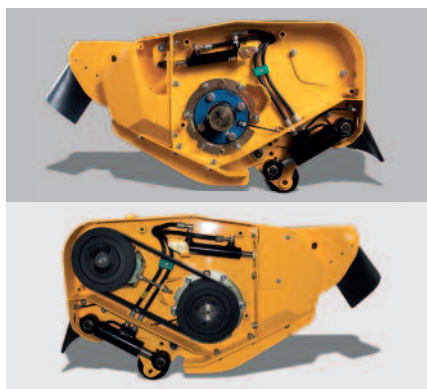
- Low Profile
- Double Skinned
- Right Or Left Drive
- Fixed Mounting

- Twin Vee Drive
- Optional Hydraulic Roller
- Optional Hydraulic Nose (Top Mount Rams)
- 50mm Bearing
- 110mm Diameter 1.2m and 120mm 1.5m Rotor Shaft Diameter

- Double Spiral Flail Pattern
- Drop Forged Flails
- T or Competition Flails

HC1600 HEAD

Optional on HD800 trimmers. For high capacity single pass cutting.



- Sleek Design
- High Flow Design
- Double Skinned
- Fixed Mounting

- 60 mm Rotor Bearing
- Twin Vee Belt
- Optional Hydraulic Roller
- Optional Hydraulic Nose

- 150 mm Rotor Shaft
- Ultra Heavy Duty
- Double Spiral Flail Pattern
- T or Competition Flails

JOYSTICK CONTROL

Options



400 SERIES JOYSTICK

- Optional on all 400 Series Trimmers
- Low Pressure Oil Proportional Design
- Proportional Lift and Reach Functions
- Switched Electric Head Angling and Slew
- Cable Start, Bi-Directional Rotor
- Easy Mount Seat Bracket



600 SERIES JOYSTICK

- Standard on all 600 Series Trimmers
- Electric Proportional - Programmable
- Proportional Lift and Reach Functions
- Optional electric float engagement
- Switched Electric Head Angling and Slew
- Cable Start, Bi-Directional Rotor
- Easy Mount Seat Bracket
- Auto Break Back/Reset

JOYSTICK CONTROL

Options



700 SERIES JOYSTICK

- Standard on all 700 Series Trimmers
- Digital Proportional - Programmable
- Proportional Lift, Reach and Head Angling
- Electric Start Bi-Directional Rotor
- LCD Screen
- Easy Mount Seat Bracket
- Switched Electric Slew and Telescopic
- Electric float engagement
- Auto Break Back/Reset



800 SERIES JOYSTICK

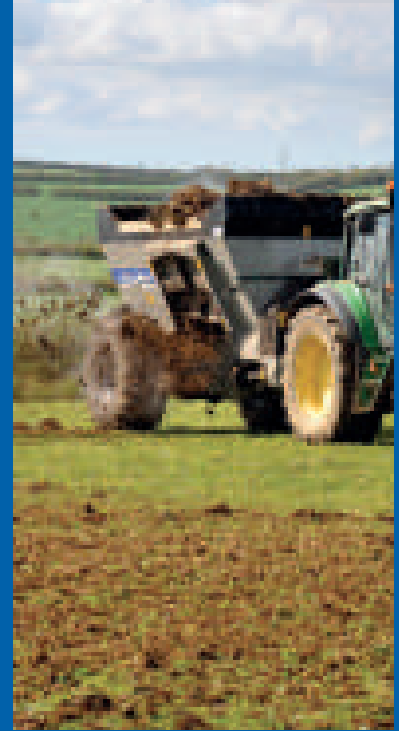
- Standard on all 800 Series Trimmers
- Digital Proportional - Programmable
- Proportional Lift, Reach and Head Angling
- Electric Start Bi-Directional Rotor
- LCD Screen
- Easy Mount Seat Bracket
- Switched Electric Slew and Telescopic
- Electric float engagement
- Auto Break Back/Reset



GROUND CARE



HARVESTING



LIVESTOCK



SHELBOURNE REYNOLDS
ENGINEERING LTD.

SHEPHERDS GROVE, STANTON,
BURY ST EDMUNDS,
SUFFOLK, IP31 2AR

FIND US:



SHELBOURNE.COM